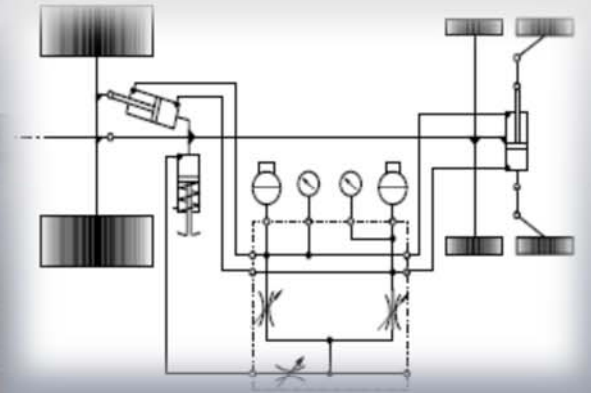
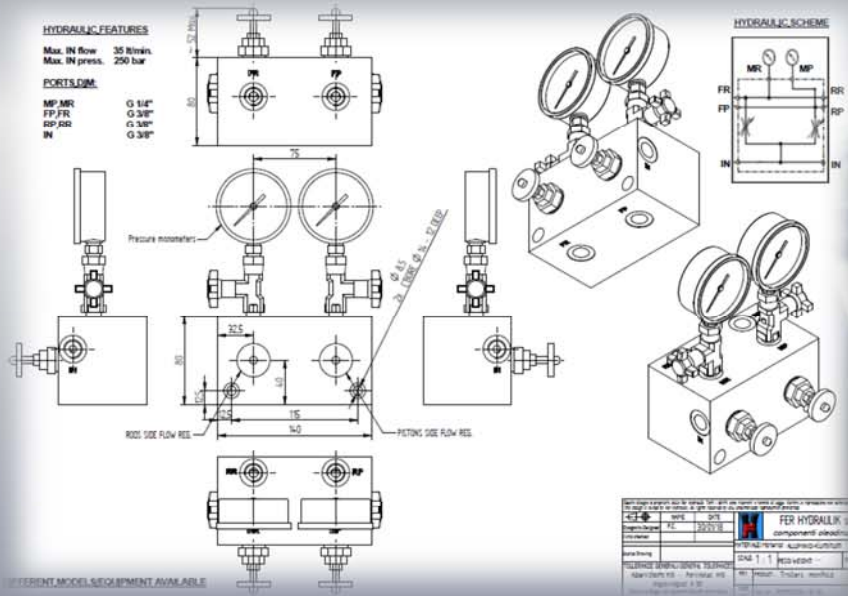


# WAGON & TIPPERS



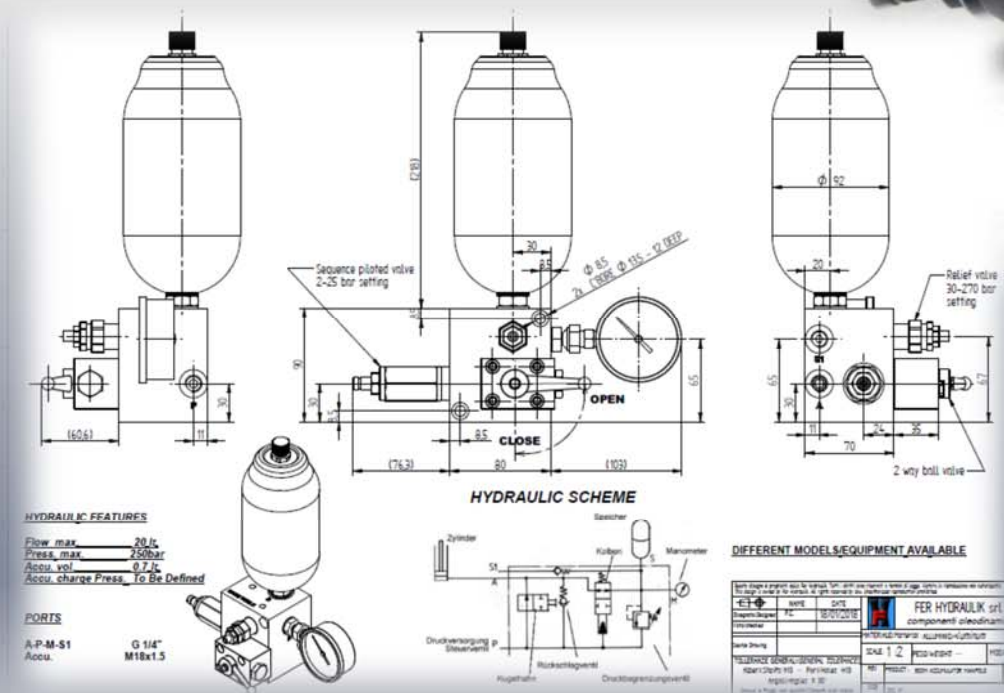
# TRAILER SOLUTIONS

- DIFFERENT TYPE OF TRAILER MANIFOLD SOLUTIONS



# ACCUMULATOR BOOM MANIFOLD

- DIFFERENT TYPE OF ACCUMULATOR BOOM MANIFOLD FOR DIFFERENT TYPE OF AGRICULTURE MACHINE NEEDS



# FEEDING MIXING MACHINES



# UNIFEED MACHINES



- NEW OPTIONAL EQUIPMENT FOR NEW MARKET NEEDS



# STABLE SYSTEM

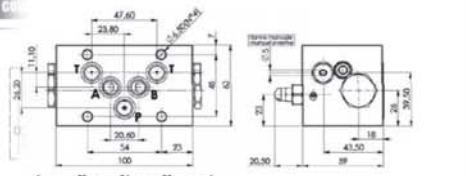
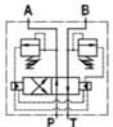
- VARIUOS TYPE OF AUTOMATIC REVERSING VALVE FOR INDUSTRIAL SYSTEM (STABLE'S EVACUATOR SYSTEMS).



<b>AUTOMATIC REVERSING VALVE CETOP 5</b>	TYPE	
	CODE	086FPIH-110-VMX

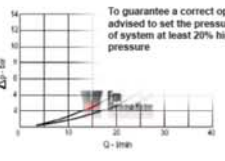
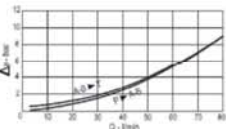
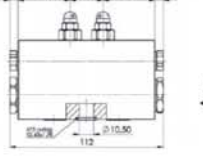
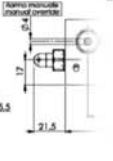
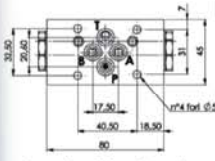
**AUTOMATIC REVERSING VALVE CETOP 3**

**MATERIAL : ZINC PLATED CAST IRON**  
 - Q. MIN : 3 L/min  
 - Q. MAX : 80 L/min  
 - P. MAX : 350 bar  
 - FILTRATION LEVEL : 25 µm  
 - VISCOSITY RANGE : 10 - 500 cSt



**AUTOMATIC REVERSING VALVE CETOP 3**

**MATERIAL : ZINC PLATED CAST IRON**  
 - Q. MIN : 3 L/min  
 - Q. MAX : 35 L/min  
 - P. MAX : 350 bar  
 - FILTRATION LEVEL : 25 µm  
 - VISCOSITY RANGE : 10 - 500 cSt



To guarantee a correct operation of valve, is advised to set the pressure on relief valve of system at least 20% higher of reversing pressure

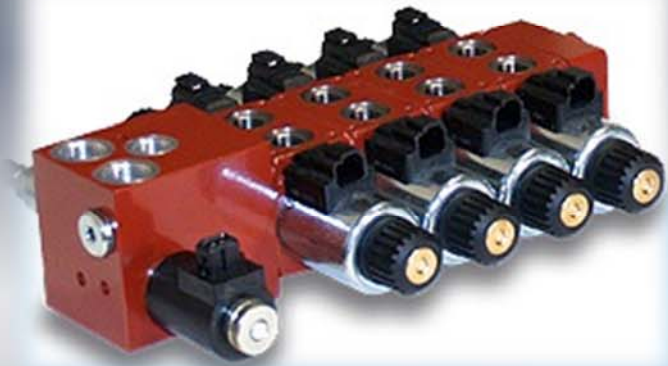
SPRINGS		
X	ADJUSTMENTS	STANDARD SETTINGS
10	20-100 bar	40 bar
20	85-260 bar	150 bar

SPRINGS		
X	ADJUSTMENTS	STANDARD SETTINGS
10	20-100 bar	40 bar
20	85-260 bar	150 bar

To guarantee a correct operation of valve, is advised to set the pressure on relief valve of system at least 20% higher of reversing pressure

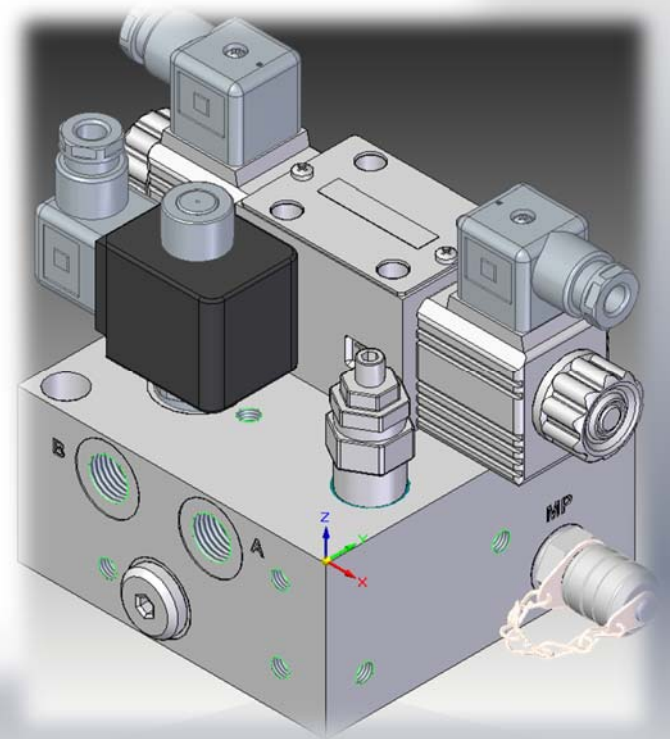


# SPRAYER



# TELEHANDLER

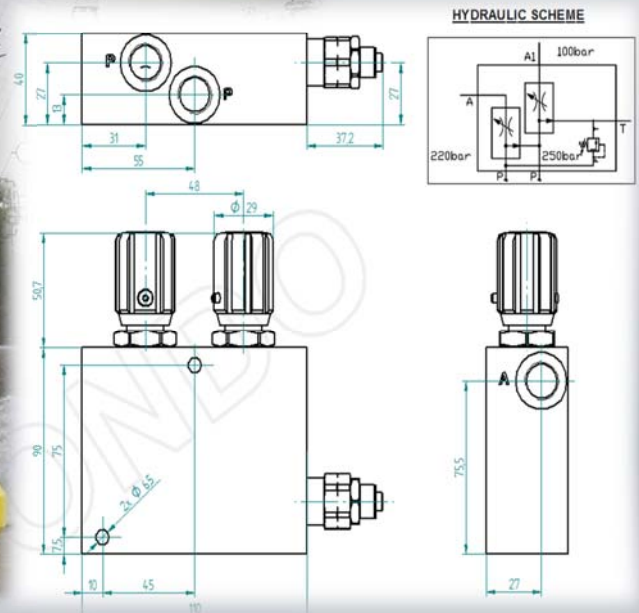
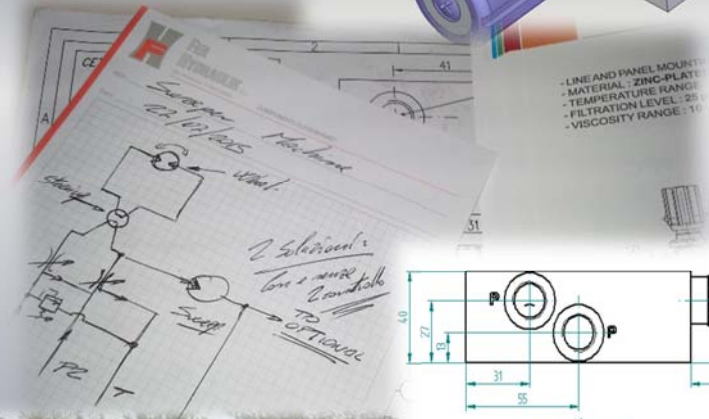
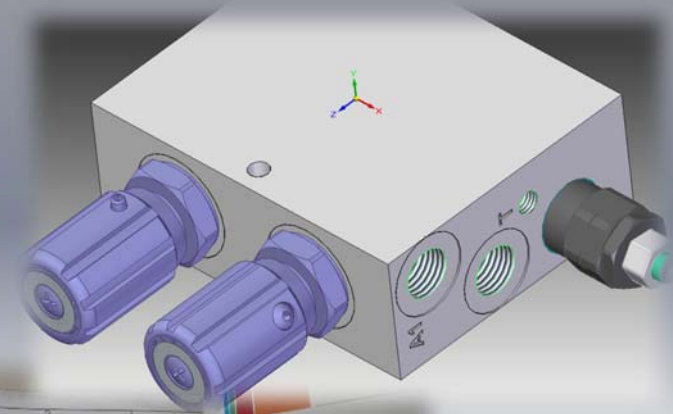
NEW





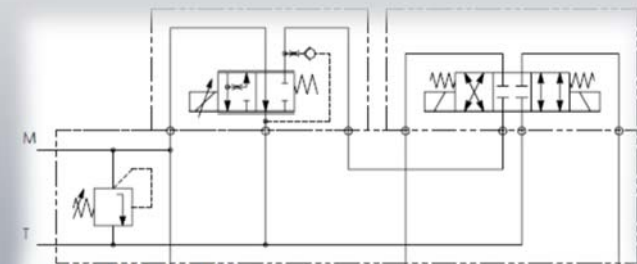
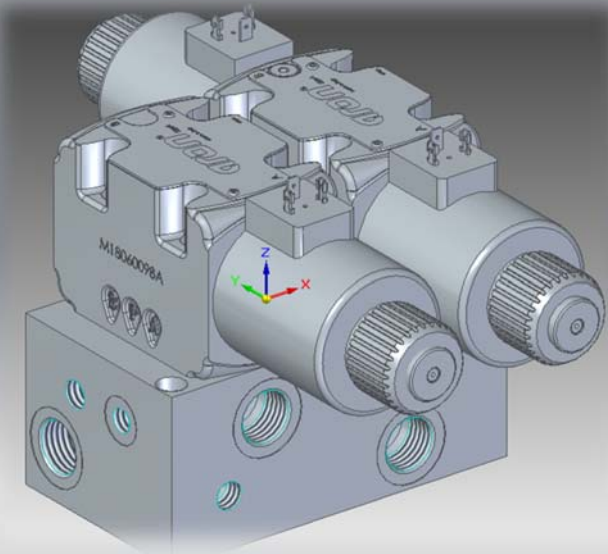
# MOTOR CONTROL MANIFOLD

- DIFFERENT TYPE OF SPECIAL CONTROL MOTOR VALVE/MANIFOLD FOR MOBILE MACHINES (GRASS CUTTING ARMS, SALT SPRAYER, SWEEPER, etc)



# PROPORTIONAL CONTROL MANIFOLD

- DIFFERENT TYPE OF PROPORTIONAL MANIFOLD FOR BIG MOBILE MACHINES (UNIFEED, TOMATO/POTATO HARVESTER, TRACTION CONTROL MANIFOLD, etc)



PORT "M" G1/4

PORTS "A-B-P-T" G3/4

RANGE RELIEF VALVE MAX. 350 bar

VOLTAGE SOLENOID VALVE 12 D.C.

VOLTAGE PROPORTIONAL VALVE 12V D.C.  
RANGE FLOW CONTROL MAX. 106 l/min.